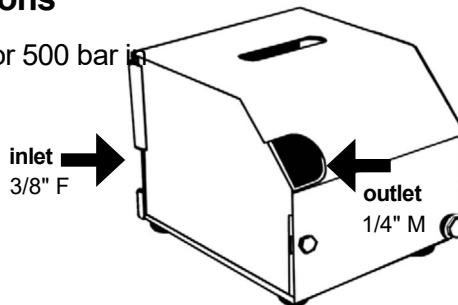


# ST-540 VOETKLEP

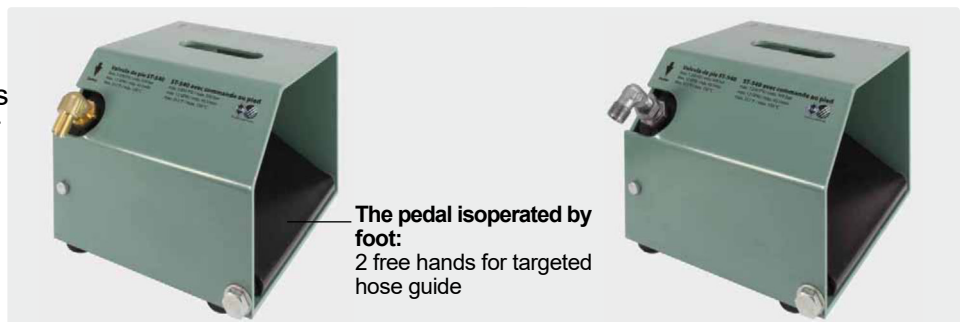


## Safety and protection for works with high pressure. Ideal for sewer cleaning applications

- available for applications with 350 bar or 500 bar in combination with the spray guns ST-2605 or ST-2750
- flow of 45 l/min / 30 l/min
- max. temperature 150 °C
- control via integrated foot pedal
- dimensions: H x W x D: 165 x 180 x 240 mm
- powder-coated housing made out of 4 mm thick steel equipped with a well thought out recess as handle
- slip-resistant rubber feet for a solid position
- possible removal of the spray gun as well as easy installation by means of external connections



possible versions: integrated ST-2605 with 350 bar or ST-2750 with 500 bar



Incl. HP-gun ST-2605 with brass angle at the outlet. Material of housing is powder-coated steel. Rubber feet. Max. 350 bar / 45 l/min / 150 °C

Incl. HP-gun ST-2750 with an angle at the outlet. Material of housing is powder-coated steel. Rubber feet. Max. 500 bar / 30 l/min / 150 °C

R+M Nr.	outlet	inlet
200 540 500	1/4" M	3/8" F

R+M Nr.	outlet	inlet
200 540 550	1/4" M	3/8" F